

MGS 72M10



520-550W



Superior aesthetics, all-black design



Robust product design for harsh weather conditions



Improved performance in shaded areas



Designed & engineered in the U.S., Made in Dubai


Certifications:





Intertek



Headquarter address

 Magnus Green Solar LLC, 360 E 2nd St, STE 820
Los Angeles, CA 90012 USA

 +1-888-259-4196

 info@magnusgreensolar.com

Manufactured at:

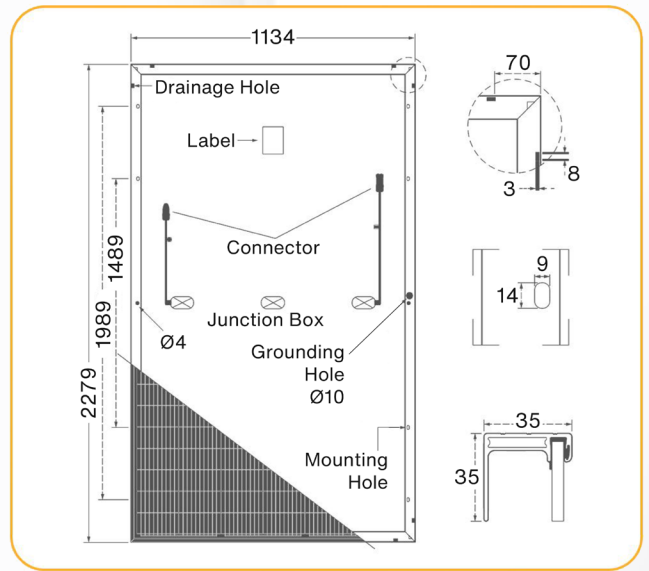
 Magnus Green Solar Panels Manufacturing
National Industries Park, Plot TP010505,
Jebel Ali, Dubai, United Arab Emirates.

 +971 50 786 3131

 info@magnusgreensolar.com

MECHANICAL SPECIFICATIONS

Cell Type	Mono 182x91mm
Weight	29kg
Dimension	2279x1134x35mm (LxWxT)
Cables	4.0mm ² , Portrait: 300mm(+)/400mm(-) Landscape: 1400mm(+)/1400mm(-)
No. of Cells	144 (6x24)
Glass	3.2mm High Transmission, Antireflection Coating
Junction Box	IP68, 3 Bypass Diodes
Packing	31pcs/pallet, 620pcs/40HQ
Connector Type	Staubli Electrical Connectors AG (PV-KST4-EVO2/XY_UR)



ELECTRICAL SPECIFICATIONS

Module Type	MGS-520-M72H-M10		MGS-525-M72H-M10		MGS-530-M72H-M10		MGS-535-M72H-M10		MGS-540-M72H-M10		MGS-545-M72H-M10		MGS-550-M72H-M10	
	STC	NOCT	STC	NOCT	STC	NOCT	STC	NOCT	STC	NOCT	STC	NOCT	STC	NOCT
Testing Condition														
Open-circuit Voltage (Voc/V)	49.0	46.0	49.2	46.1	49.26	46.3	49.34	46.5	49.42	46.7	49.52	46.9	50.2	47.1
Maximum Power Voltage (Vmp/V)	41.2	38.6	41.41	38.8	40.56	39.0	40.63	39.2	40.70	39.4	40.80	39.6	42.41	39.8
Short-circuit Current (Isc/A)	13.42	10.84	13.48	10.89	13.71	10.94	13.79	10.99	13.85	11.04	13.94	11.09	13.78	11.13
Maximum Power Current (Imp/A)	12.63	10.01	12.68	10.06	13.07	10.11	13.17	10.15	13.27	10.20	13.36	10.24	12.97	10.29
Maximum Power (Pmax/W)	520	387	525	391	530	394	535	398	540	402	545	405	550	409
Module Efficiency (%)	20.12%		20.31%		20.51%		20.70%		20.89%		21.09%		21.28%	
Power Tolerance													±3%	
Tolerance of Rating Pmax/Isc/Voc%													±3%/±4%/±3%	

NOCT: Irradiance 800w/m², Cell Temperature 20°C, Spectrum AM1.5, Wind Speed 1m/s STC: Irradiance 1000w/m², Cell Temperature 25°C, Spectrum AM1.5

Binning Tolerance: 0 to +5W

MAXIMUM RATINGS

Maximum System Voltage	1500V DC
Operating Temperature	-40°C to +85°C
Maximum Series Fuse	25A
Safety Class	II
Fire Rating	Class C
Static Loading	Snow Loading: 5400Pa/ Wind Loading: 2400Pa
Conductivity at Ground	≤0.1Ω
Resistance	≥100MΩ

TEMPERATURE CHARACTERISTICS

NOCT Temperature	45°C±2°C
Temperature Coefficient (Pmax)	-0.37%/°C
Temperature Coefficient (Voc)	-0.29%/°C
Temperature Coefficient (Isc)	0.05%/°C

PERFORMANCE WARRANTY

Max Power Degradation	0.5%/Year
97.5% At The End of 1 st Year	
93% At The End of 10 th Year	
85.5% At The End of 25 th Year	

CURVE & TEMPERATURE DEPENDENCE

