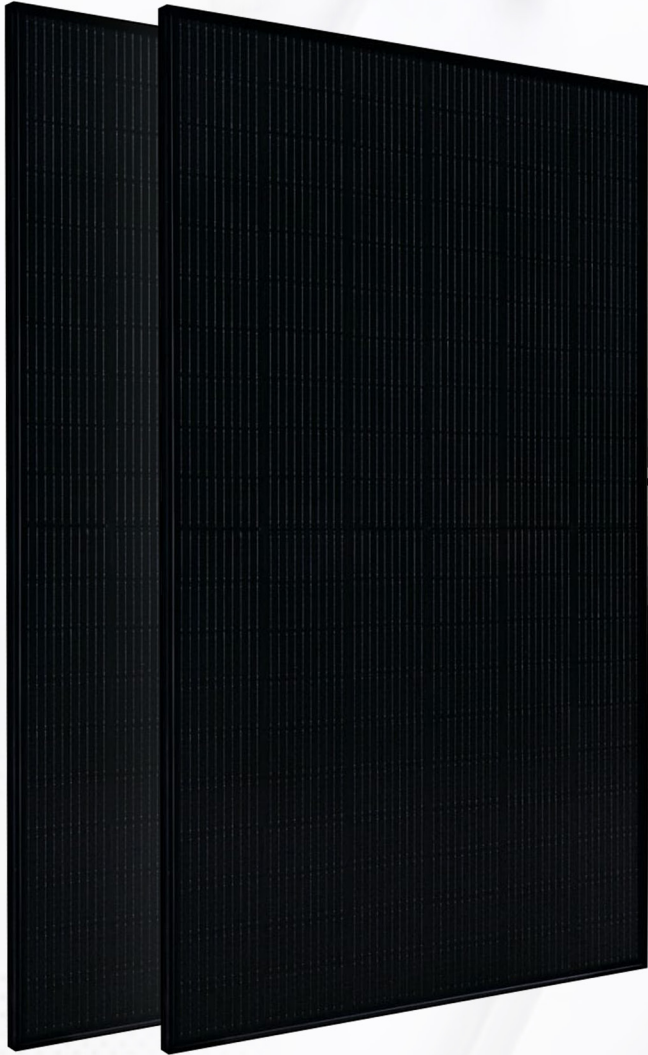


MGS 60M10



430-460W



Superior aesthetics, all-black design



Robust product design for harsh weather conditions



Improved performance in shaded areas



Designed & engineered in the U.S., Made in Dubai

Certifications:



Intertek



Headquarter address

📍 Magnus Green Solar LLC, 360 E 2nd St, STE 820
Los Angeles, CA 90012 USA

☎ +1-888-259-4196

✉ info@magnusgreensolar.com

Manufactured at:

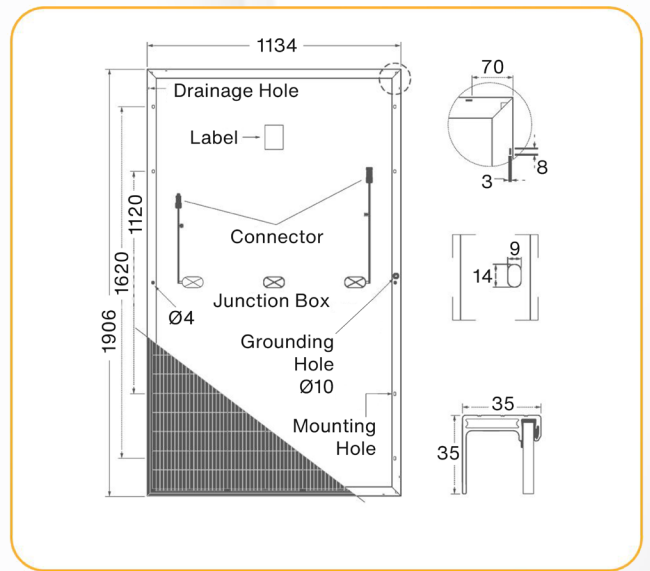
📍 Magnus Green Solar Panels Manufacturing
National Industries Park, Plot TP010505,
Jebel Ali, Dubai, United Arab Emirates.

☎ +971 50 786 3131

✉ info@magnusgreensolar.com

MECHANICAL SPECIFICATIONS

| | |
|----------------|--|
| Cell Type | Mono 182x91mm |
| Weight | 24kg |
| Dimension | 1906x1134x35mm (LxWxT) |
| Cables | 4.0mm ² , Portrait: 300mm(+)/400mm(-) Landscape: 1400mm(+)/1400mm(-) |
| No. of Cells | 120 (6x20) |
| Glass | 3.2mm High Transmission, Antireflection Coating |
| Junction Box | IP68, 3 Bypass Diodes |
| Packing | 31pcs/pallet, 744pcs/40HQ |
| Connector Type | Staubli Electrical Connectors AG (PV-KST4-EVO2/XY_UR) |



ELECTRICAL SPECIFICATIONS

| Module Type | MGS 60M10-430W | | MGS 60M10-435W | | MGS 60M10-440W | | MGS 60M10-445W | | MGS 60M10-450W | | MGS 60M10-455W | | MGS 60M10-460W | |
|-----------------------------------|----------------|-------|----------------|-------|----------------|-------|----------------|-------|----------------|-------|----------------|-------|----------------|-------|
| | STC | NOCT | STC | NOCT | STC | NOCT | STC | NOCT | STC | NOCT | STC | NOCT | STC | NOCT |
| Testing Condition | | | | | | | | | | | | | | |
| Open-circuit Voltage (Voc/V) | 40.8 | 38.3 | 41.00 | 38.5 | 41.02 | 38.6 | 41.10 | 38.8 | 41.18 | 39.0 | 41.8 | 39.2 | 42.0 | 39.4 |
| Maximum Power Voltage (Vmp/V) | 34.1 | 32.0 | 34.30 | 32.2 | 33.72 | 32.4 | 33.82 | 32.6 | 33.91 | 32.8 | 35.20 | 33.0 | 35.5 | 33.3 |
| Short-circuit Current (Isc/A) | 13.42 | 10.84 | 13.48 | 10.89 | 13.73 | 10.94 | 13.79 | 10.99 | 13.85 | 11.04 | 13.72 | 11.09 | 13.78 | 11.13 |
| Maximum Power Current (Imp/A) | 12.62 | 10.01 | 12.69 | 10.06 | 13.05 | 10.11 | 13.16 | 10.15 | 13.27 | 10.20 | 12.93 | 10.24 | 12.97 | 10.29 |
| Maximum Power (Pmax/W) | 430 | 320 | 435 | 324 | 440 | 327 | 445 | 331 | 450 | 335 | 455 | 339 | 460 | 342 |
| Module Efficiency (%) | 19.91% | | 20.14% | | 20.36% | | 20.59% | | 20.82% | | 21.06% | | 21.30% | |
| Power Tolerance | | | | | | | | | | | | | ±3% | |
| Tolerance of Rating Pmax/Isc/Voc% | | | | | | | | | | | | | ±3%/±4%/±3% | |

NOCT: Irradiance 800w/m², Cell Temperature 20°C, Spectrum AM1.5, Wind Speed 1m/s STC: Irradiance 1000w/m², Cell Temperature 25°C, Spectrum AM1.5

Binning Tolerance: 0 to +5W

MAXIMUM RATINGS

| | |
|------------------------|----------------|
| Maximum System Voltage | 1500V DC |
| Operating Temperature | -40°C to +85°C |
| Maximum Series Fuse | 25A |
| Safety Class | II |
| Fire Rating | Class C |
| Mechanical Load | 5400pa |

TEMPERATURE CHARACTERISTICS

| | |
|--------------------------------|-----------|
| NOCT Temperature | 45°C±2°C |
| Temperature Coefficient (Pmax) | -0.37%/°C |
| Temperature Coefficient (Voc) | -0.29%/°C |
| Temperature Coefficient (Isc) | 0.05%/°C |

PERFORMANCE WARRANTY

| | |
|---|-----------|
| Max Power Degradation | 0.5%/Year |
| 97.5% At The End of 1 st Year | |
| 93% At The End of 10 th Year | |
| 85.5% At The End of 25 th Year | |

CURVE & TEMPERATURE DEPENDENCE

